

## ZIP™ Shutter for Dymax ECE Flood Lamps An Accessory for UV Curing Control & Safety

- Enhances operator safety by preventing exposure to UV
- Allows for precise control of exposure times
- Simple operation
- Shutters allow flood lamp to stay on continuously, improving bulb life
- Manual or timed operation modes

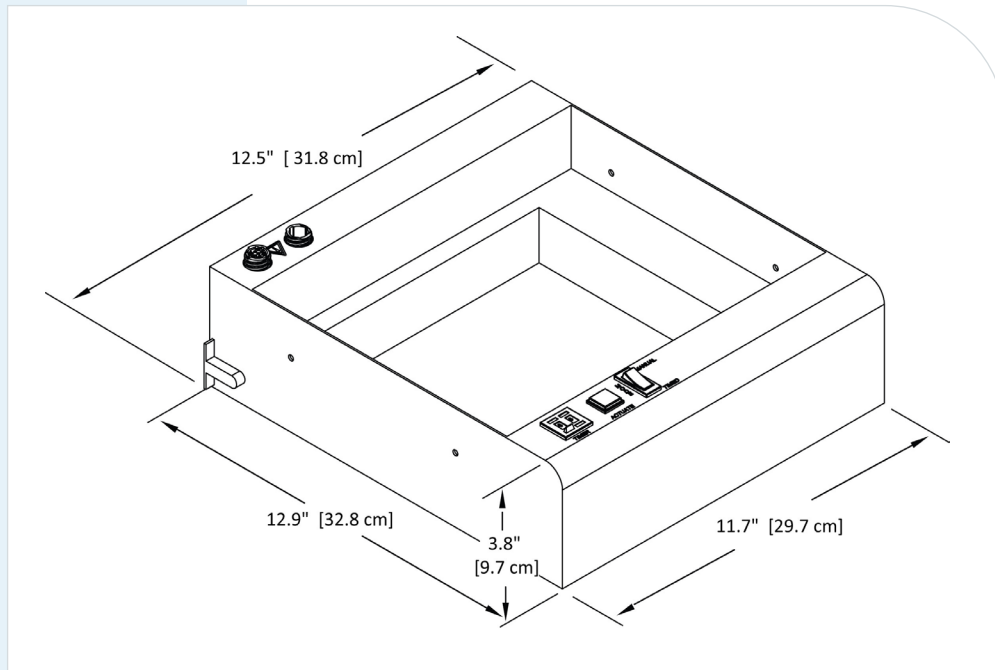
The Dymax ECE ZIP™ shutter is an accessory designed for use with Dymax ECE-series UV flood lamps. When used as part of a flood lamp system, this shutter allows the flood lamp to stay on continuously, eliminating the warm-up period needed each time the lamp is turned on and preventing the negative effects that repeatedly turning on and off the lamp has on the bulb. Use of a shutter in a flood lamp system also increases worker safety by preventing operator exposure to UV light. Items may be loaded and unloaded from beneath the shutter when it is shut without exposing operators to UV light. When used with an ECE Light Shield, this shutter will automatically shut and block the UV light when the light shield door is opened.

Operation of the shutter is easy and precise control of exposure times can be achieved with by using the unit's two modes of operation: Timed and Manual. In timed mode, the shutter opens by pressing a button on the front switch or by activating the remote switch (i.e. foot switch), and remains open for a user-specified period of time. In the manual mode, pressing the button on the front panel or remote switch (i.e. foot switch) opens the shutter and releasing the button closes the shutter.

Specifications	
<b>Part Number</b>	40885 (includes shutter & foot pedal switch with connector cable)
<b>Compatible Flood Lamps</b>	Dymax ECE 2000 and ECE 5000 Flood Lamps
<b>Remote Control</b>	Via foot pedal
<b>Range</b>	1 to 99 seconds (1 second increments)
<b>Tolerance</b>	± 2% (variable between different units)
<b>Accuracy and Repeatability</b>	For settings below 30 seconds (± 1 second) For settings above 30 seconds (± 2 seconds)



Figure 1. Dimensions



[www.dymax.com](http://www.dymax.com)

**Americas**

USA | +1.860.482.1010 | [info@dymax.com](mailto:info@dymax.com)

**Europe**

Germany | +49 611.962.7900 | [info\\_de@dymax.com](mailto:info_de@dymax.com)  
Ireland | +353 21.237.3016 | [info\\_ie@dymax.com](mailto:info_ie@dymax.com)

**Asia**

Singapore | +65.67522887 | [info\\_ap@dymax.com](mailto:info_ap@dymax.com)  
Shanghai | +86.21.37285759 | [dymaxasia@dymax.com](mailto:dymaxasia@dymax.com)  
Shenzhen | +86.755.83485759 | [dymaxasia@dymax.com](mailto:dymaxasia@dymax.com)  
Hong Kong | +852.2460.7038 | [dymaxasia@dymax.com](mailto:dymaxasia@dymax.com)  
Korea | +82.31.608.3434 | [info\\_kr@dymax.com](mailto:info_kr@dymax.com)