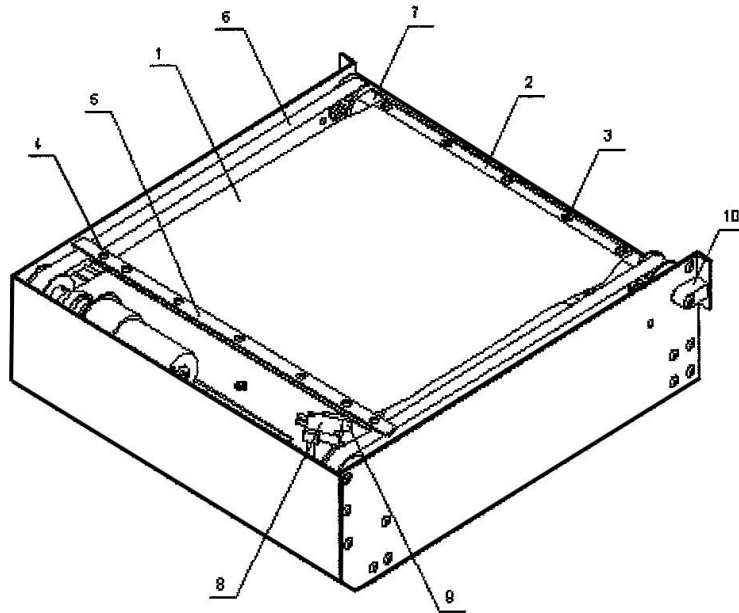


ZIP[™] Shutter Curtain Assembly Replacement

For use with Models 37861, 35572 & 37863



- 1 – Curtain
- 2 – Bar, Roller
- 3 – Screw
- 4 – Screw
- 5 – Clamp Bar
- 6 – Belt
- 7 – Roller and Pulley
- 8 – Limit Switch
- 9 – Limit Switch
- 10 – Belt Tension

Curtain Assembly Replacement (Bottom View)

1. Remove the Reflector Assembly and flip the Shutter into its top.
2. Remove the Bottom Cover to expose the inside Roller and Motor. Depending on the revision level, there are either six or twenty six screws.
3. Manually unroll the Curtain until the Curtain reaches the Front Limit Switch (8).
4. Loose the Belt tension by unscrewing the rear screws.
5. Remove the old Curtain by removing the five screws (3) on the Roller (7) and loosen the two side screws (4) on the Clamp Bar (5). Slide the Curtain off the Belts (6).
6. Attach the new Curtain (1) PN 38071 to the Roller (7) and Roller Bar (2) with the 6-32 Screws (3) previously removed from the Roller (7).
7. Stretch the Curtain (1) toward the front and slide the Clamp Bar (5) onto the Belt (6) where the Curtain (1) is fully outstretched. The Curtain should be stretched short of the Front Limit Switch (8).
8. Tighten the end screws 4-40 (4).
9. Manually roll-up the Curtain (1) until the Curtain reaches the Rear Limit Switch. If the Clamp Bar (5) bows, loosed the Screws (4) and allow the Clamp Bar (5) to find its natural straightness and retighten.

10. Replace the Bottom Cover.
11. Set-up the system according to the Shutter directions. Tighten the Belt Tension (10) as needed to improve the Belt performance.



© 2010 Dymax Corporation. All rights reserved. All trademarks in this guide, except where noted, are the property of, or used under license by Dymax Corporation, U.S.A.

Please note that most dispensing and curing system applications are unique. Dymax does not warrant the fitness of the product for the intended application. Any warranty applicable to the product, its application and use is strictly limited to that contained in Dymax's standard Conditions of Sale. Dymax recommends that any intended application be evaluated and tested by the user to insure that desired performance criteria are satisfied. Dymax is willing to assist users in their performance testing and evaluation by offering equipment trial rental and leasing programs to assist in such testing and evaluations. Data sheets are available for valve controllers or pressure pots upon request. QS022 10/01/2004

Dymax Corporation
860.482.1010 | info@dymax.com | www.dymax.com

Dymax Europe GmbH
+49 (0) 611.962.7900 | info_de@dymax.com | www.dymax.de

Dymax Engineering Adhesives Ireland Ltd.
+353.1.231 4696 | info_ie@dymax.com | www.dymax.ie

Dymax Oligomers & Coatings
860.626.7006 | info_oc@dymax.com | www.dymax-oc.com

Dymax UV Adhesives & Equipment (Shanghai) Co. Ltd.
+86.21.37285759 | dymaxasia@dymax.com | www.dymax.com.cn

Dymax UV Adhesives & Equipment (Shenzhen) Co. Ltd.
+86.755.83485759 | dymaxasia@dymax.com | www.dymax.com.cn

Dymax Asia (H.K.) Limited
+852.2460.7038 | dymaxasia@dymax.com | www.dymax.com.cn

Dymax Asia Pacific Pte. Ltd.
+65.6752.2887 | info_ap@dymax.com | www.dymax-ap.com

Dymax Korea LLC
+82.2.784.3434 | info_kr@dymax.com | www.dymax.com/kr